



BUICK

DeMarois
 Buick GMC Isuzu
 Your Authorized Mercedes Benz Dealer
 (406) 721-4000
 Po Box 8538
 Missoula Mt 59808



Mercedes-Benz

41021 ROB

MERLE ROBINSON 2755 US HIGHWAY 93 WEST WHITEFISH, MT 59937 merle@merlerobinson.com		VEHICLE ID 8BNPF4CC8GE132463	MILES IN 12000	MILES OUT 12000	DATE/TIME IN 04/20/21 15:23	DATE OUT 04/28/21	INVOICE NO 41021
VEHICLE DESCRIPTION 2016 MERCEDES-B SPRINTER 3					TAG NO 00821	STATUS PARTIAL-COMPLETE-P	
CONTROL NO. 040455	LICENSE PLATE NO.	CUST. LABOR RATE	PROD. DATE	IN-SERV DATE	DELIV. DATE	DELIV. MILES	TERMS Cash
HOME PHONE (406) 871-1601	WORK PHONE	CELL PHONE	STOCK NO.	SERV. ADV. JEFFORY CARRETTA (535)		RO COMMENT	

Line	Op-Code	Fail Code	Tech	Hours	Type	Amount												
A *	MBRECAL		A60		Warranty													
Concern	PERFORM AUTHORIZED MANUFACTURE UPDATE/RECALL AS REQUIRED replace front passingerside airbag																	
Cause	VIN FLAGGED WITH UPDATE OR RECALL. Verified vehicle is flagged for F.P. AIRBAG recall. SRS light is not on at this time. Old airbag number is A9068600002905157162780045Z012Q017. New airbag number is A906860200005905190190100117Z002Q001																	
Correction	PERFORM RECALL AS REQUIRED BY MANUFACTURE. Perfomed F.P. AIRBAG recall as per bulletin . 2018110007 Rev-D.																	
	Damage Code	Operation Number	Labor Time (hrs.)															
	91931 63 7	02 2723	0.7															
<table border="1"> <thead> <tr> <th>Part Number</th> <th>Description</th> <th>Qty.</th> </tr> </thead> <tbody> <tr> <td>M,9068602000059051</td> <td>FRONT PASSENGE</td> <td>1</td> </tr> <tr> <td>M,0199905801</td> <td>BOLT W FLANGE</td> <td>4</td> </tr> <tr> <td>M,002997249064</td> <td>CABLE TIE</td> <td>1</td> </tr> </tbody> </table>							Part Number	Description	Qty.	M,9068602000059051	FRONT PASSENGE	1	M,0199905801	BOLT W FLANGE	4	M,002997249064	CABLE TIE	1
Part Number	Description	Qty.																
M,9068602000059051	FRONT PASSENGE	1																
M,0199905801	BOLT W FLANGE	4																
M,002997249064	CABLE TIE	1																

C *	MBEMMS		A60		Warranty																												
Concern	PLEASE PERFORM EMISSIONS MODIFICATION																																
Cause	AS PER VIN. Verified vehicle is flagged for EMP/AEM 2020040001. CEL is not on at this time.																																
Correction	Performed EMP/AEM as per bulletin 2020040001. DC:0797096. ON: 02-1211 /1.4																																
<table border="1"> <thead> <tr> <th>Part Number</th> <th>Description</th> <th>Qty.</th> </tr> </thead> <tbody> <tr> <td>M,642905180085</td> <td>REMAN TS NOX S</td> <td>1</td> </tr> <tr> <td></td> <td>CLEAN CORE</td> <td>1</td> </tr> <tr> <td></td> <td>DIRTY CORE</td> <td>-1</td> </tr> <tr> <td>M,2205461843</td> <td>BRACKET</td> <td>1</td> </tr> <tr> <td>M,0009943211</td> <td>PIN LOCK</td> <td>4</td> </tr> <tr> <td>M,0079975690</td> <td>TIE STRAP</td> <td>2</td> </tr> <tr> <td>M,000000003477</td> <td>NUT</td> <td>4</td> </tr> <tr> <td>M,0005849313</td> <td>INFORMATION LA</td> <td>1</td> </tr> </tbody> </table>							Part Number	Description	Qty.	M,642905180085	REMAN TS NOX S	1		CLEAN CORE	1		DIRTY CORE	-1	M,2205461843	BRACKET	1	M,0009943211	PIN LOCK	4	M,0079975690	TIE STRAP	2	M,000000003477	NUT	4	M,0005849313	INFORMATION LA	1
Part Number	Description	Qty.																															
M,642905180085	REMAN TS NOX S	1																															
	CLEAN CORE	1																															
	DIRTY CORE	-1																															
M,2205461843	BRACKET	1																															
M,0009943211	PIN LOCK	4																															
M,0079975690	TIE STRAP	2																															
M,000000003477	NUT	4																															
M,0005849313	INFORMATION LA	1																															

MERLE ROBINSON
 2755 US HIGHWAY 93 WEST
 WHITEFISH, MT 59937
 merle@merlerobinson.com

VEHICLE ID		MILES IN	MILES OUT	DATE/TIME IN	DATE OUT	INVOICE NO.	
8BNPF4CC8GE132463		12000	12000	04/20/21 15:23	04/28/21	41021	
VEHICLE DESCRIPTION				TAG NO.	STATUS		
2016 MERCEDES-B SPRINTER 3				00821	PARTIAL-COMPLETE-P		
CONTROL NO.	LICENSE PLATE NO.	CUST. LABOR RATE	PROD. DATE	IN-SERV DATE	DELIV. DATE	DELIV. MILES	TERMS
040455							Cash
HOME PHONE	WORK PHONE	CELL PHONE	STOCK NO.	SERV. ADV.		RO COMMENT	
(406) 871-1601				JEFFORY CARRETTA (535)			

Line	Op-Code	Fail Code	Tech	Hours	Type	Amount
E +	MBMISC		A74		Customer	\$0.00
Concern	CUSTOMER STATES 12 VOLT BY ASHTRAY NOT WORKING AND ASHTRAY WONT CLOSE PLEASE ADVISE					
Cause	VERIFY CONCERN DIAGNOSE AND PROVIDE ESTIMATE FOR REPAIR					
Correction	Removed cigarette lighter from ashtray pocket. Ashe tray closes. Tested ash try 12v socket with cigarette lighter, lighter heated up, socket is operational. /NC					
Line Total...						\$0.00

F +	MBMISC		A74		Customer	\$70.00
Concern	CUSTOMER STATES PLEASE CHECK BATTERY					
Cause	VERIFY CONCERN DIAGNOSE AND PROVIDE ESTIMATE FOR REPAIR					
Correction	Starter battery dated 40/16 tests good. .5					
Line Total...						\$70.00

G +	MBSB		A74		Customer	\$238.00
Concern	MB "B" CUSTOMER/VEHICLE REQUESTS SERVICE WITH MVPI PRICES VARY (DIESEL/SPRINTER/MILAGE)					
Cause	PERFORM MERCEDES BENZ REQUIRED SERVICE (PLEASE ADVISE CUSTOMER OF RECOMMENDED SERVICES NEEDED!) B service due in 7 days.					
Correction	SERVICE DONE 1.7					

Part Number	Description	Qty	Unit Price	Ext. Price
M,0019893701USA8	MB GENUINE ENGINE OIL 5W-	13	\$14.64	\$190.32
M,6421800009	TS FILTER INSERT	1	\$30.00	\$30.00
M,Q1470002	DIESEL EXHAUST FLUIS (ADB	2	\$5.64	\$11.28
Parts Total...				\$231.60
Line Total...				\$469.60

MERLE ROBINSON
 2755 US HIGHWAY 93 WEST
 WHITEFISH, MT 59937
 merle@merlerobinson.com

VEHICLE ID		MILES IN	MILES OUT	DATE/TIME IN	DATE OUT	INVOICE NO.	
8BNPF4CC8GE132463		12000	12000	04/20/21 15:23	04/28/21	41021	
VEHICLE DESCRIPTION					TAG NO.	STATUS	
2016 MERCEDES-B SPRINTER 3					00821	PARTIAL-COMPLETE-P	
CONTROL NO.	LICENSE PLATE NO.	CUST. LABOR RATE	PROD. DATE	IN-SERV. DATE	DELIV. DATE	DELIV. MILES	TERMS
040455							Cash
HOME PHONE	WORK PHONE	CELL PHONE	STOCK NO.	SERV. ADV.		RO COMMENT	
(406) 871-1601				JEFFORY CARRETTA (535)			

Totals

	Amount
Labor	\$308.00
Parts	\$30.00
Shop Supplies	\$16.19
Parts-Other	\$201.60
Total Amount Due	\$555.79
<hr/>	
Amount Due	\$555.79

Thank you for this opportunity to serve you. It is our aim to perform all of the repairs requested on this invoice to you Complete Satisfaction. If our service was satisfactory, tell your friends, if not, please tell us immediatly!

MULTI-POINT INSPECTION

Customer: MERLE ROBINSON

E-mail: merle@merlerobinson.com

Phone: (406) 871-1601

RO #: 41021

Date: 04/28/2021

VIN: 8BNPF4CC8GE132463

Plate:

Mileage: 12,000

Year/Make/Model: 16 MERCEDE...

Multi Point Inspection

Checked and OK at this time

May require future attention

Requires immediate attention

FLUID LEVELS

OK | FILL

Engine Oil

Brake Reservoir

Coolant

OK | FILL

Transmission (if equipped)

Power Steering

Windshield Washer

INTERIOR COMPONENTS

Cabin Air Filter

Dome Light / Amp Light / Dimmer Combination Meter

Parking Brake Operation

EXTERIOR COMPONENTS

Horn Operation

Head Lights / Tail Lights / Turn Signals / Brake Lights / Hazards / Exterior Lamps

Windshield Wiper & Washer Operation

Windshield Glass (cracks / damage)

Fuel Tank Cap Gasket

Wiper Blades

UNDER-VEHICLE COMPONENTS

Engine Air Filter

Propeller / Driveshaft (damage/leaks/U-joints)

Drive / CV Shaft (damage/leaks/boots)

Axle Hub & Bearing (damage/leaks/noise)

Suspension (damage/leaks/wear)

Hoses (cracks/damage/leaks)

Cooling System (leaks)

Steering Linkage (damage/leaks/wear)

Fluid Leaks (engine/transmission/differential)

Exhaust System (damage/leaks/corrosion)

Fuel Lines, Connections, Tank Bands, Vapour Vent System Hoses (damages/leaks/corrosion)

Drive Belts (cracks/damage/leaks)

Radiator Core / Air Conditioning Condenser

SIGNATURES

SERVICE ADVISOR

SERVICE TECHNICIAN

MAINTENANCE ITEMS

DUE

Oil & Filter Change

Engine/Secondary Coolant

Check Air Filter Minder

Transmission Fluid

DUE

Tire Rotation

Fuel Filters

Transmission Filter

Drain Water Separator

BATTERY CHECK

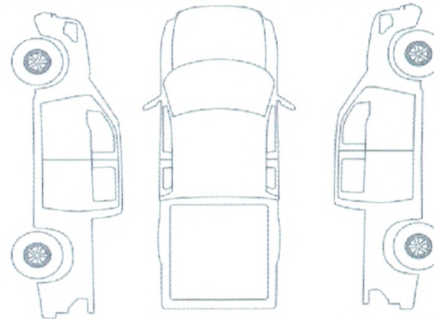
Battery Health (good, recharge, bad)

Battery Condition (clamps, cable...)

Cold Cranking Amps (Actual)

Cold Cranking Amps (Factory Spec)

EXTERIOR BODY



DRIVER SIDE

BIRDS-EYE

PASSENGER SIDE

TIRES & BRAKES

Left Front

Tire Wear Pattern/Damage

Tire Pressure set to 55 PSI factory-specs

Tread Depth 8/32"

Brake Lining 12mm | DISC

Left Rear

Tire Wear Pattern/Damage

Tire Pressure set to factory-specs

Tread Depth 8/32"

Brake Lining 11mm | DISC

Spare Tire

Tire Wear Pattern/Damage

Tire Pressure set to factory-specs

Tread Depth

Right Front

Tire Wear Pattern/Damage

Tire Pressure set to 55 PSI factory-specs

Tread Depth 8/32"

Brake Lining 12mm | DISC

Right Rear

Tire Wear Pattern/Damage

Tire Pressure set to factory-specs

Tread Depth 8/32"

Brake Lining 11mm | DISC

Wear Indicators

Check Tire Alignment

Balance Wheels

Tire Repair Needed

COMMENTS